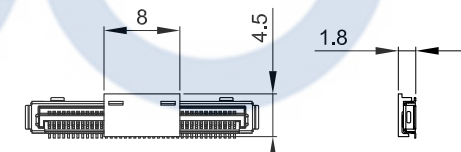
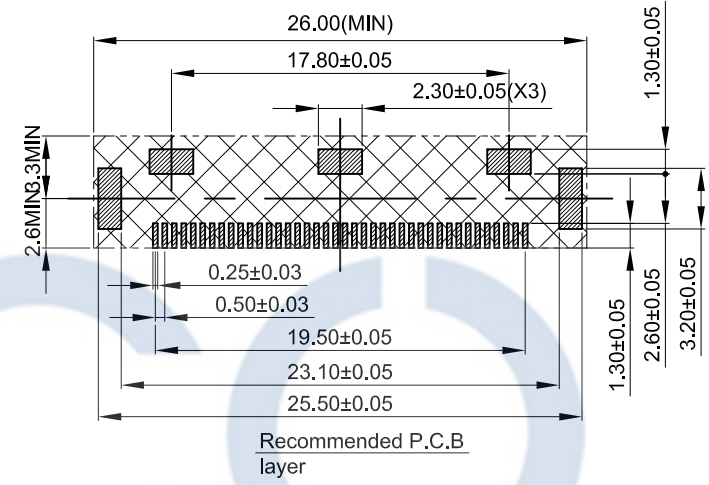
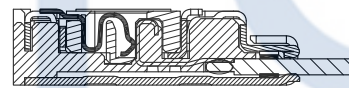
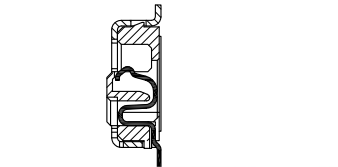
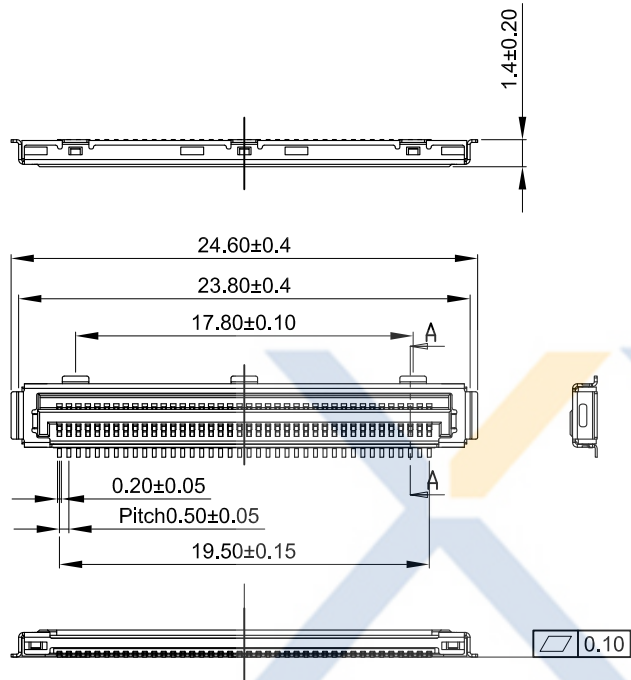


DRAWING FOR CUSTOMER



NOTE:

1. MATERIAL- INSULATOR: LCP, UL94-V0, BLACK
SHELL: COPPER ALLOY.
CONTACT: COPPER ALLOY.
CAP: LCP, UL94-V0, BLACK
2. FINISH - CONTACT :
 - △ 1= GOLD FLASH OVER NICKEL.
 - △ 2= 3u"GOLD PLATED ON CONTACT AREA, GOLD FLASH ON OTHER AREA, BOTH OVER NICKEL.
 - △ 5= 15u"GOLD PLATED ON CONTACT AREA, GOLD FLASH ON OTHER AREA, BOTH OVER NICKEL.
 - △ 7= 8u"GOLD PLATED ON CONTACT AREA, GOLD FLASH ON OTHER AREA, BOTH OVER NICKEL.
3. FINISH - SHELL : M = 80u" MATTE TIN , OVER NICKEL.

KB504- 40 R S R 3 A

Pin No.	Version
T:TUBE (管装)	Mold No.
R:REEL (卷装)	R:Right angle
P:P E (袋装)	V:Vertical
	S:SMT
	D:DIP

XYCO PRECISION CONNECTORS

TEL: 0769-8297 9981/2/3 <http://www.XYCO.com.cn>

DATE		VER	CHANGE HISTORY	CHANGED NAME	DRAWING	TOLERANCE 公差	DRAWING 設計者	John	KB504-40RSR3A		UNIT		mm	PRODUCT NAME	0.5mm Pitch, Fine Coaxial Board Receptacle Assembly. Vertical Type.
2016-11-10	A			KB504-40RSR3A	John	.X=±0.30 .XX=±0.20 .XXX=±0.10	CHECKED 審查	Thomas	PART NO. 料號	DWG NO. 圖號	PE1803008A	mm	產品名稱		
日期	版本	變更歷史	修改後料號	變更者			APPROVED 核准	William							