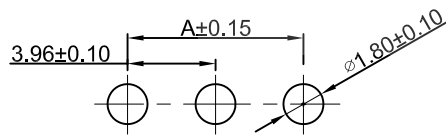
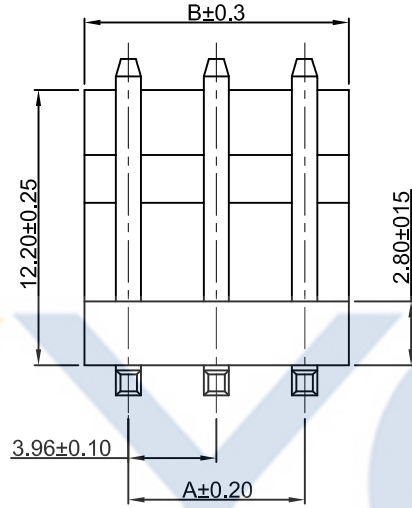
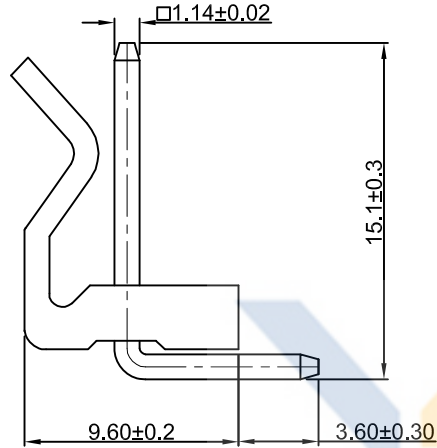
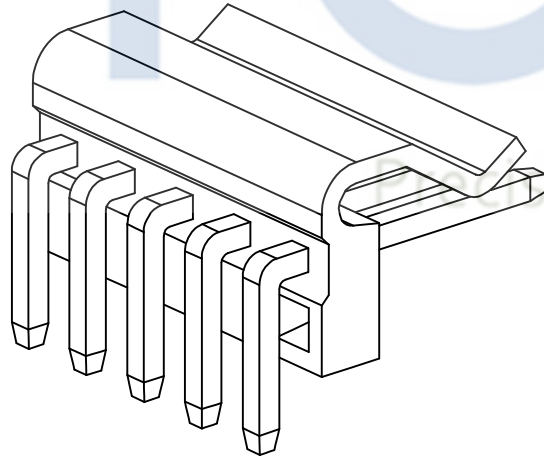


# DRAWING FOR CUSTOMER



SUGGESTED PCB LAYOUT  
(COMPONENT SIDE)



- SPEC.:
- Rated Voltage:250V AC,DC
- Rated Current:7.0A AC,DC
- Withstand Voltage:1500V AC/minute
- Contact Resistance:15mΩ max
- Insulation Resistance:1000MΩ min
- Temperature Range:-25℃~+85℃

- Material
- Insulator:Nylon66 UL94-V0
- Contact:Brass/Tin-plated

KB965-XX X D R 6 A

Pin No.	Version
包装方式:	Mold No.
T:TUBE (管装)	R:Right Angle
R:REEL (卷装)	V:Vertical
P: PE (袋装)	S:SMT
	D:DIP

Circuits	Dimensions (mm)	
	A	B
02	3.96	7.96
03	7.92	11.92
04	11.88	15.88
05	15.84	19.84
06	19.80	23.80
07	23.76	27.76
08	27.72	31.76
09	31.68	35.68
10	35.64	39.64
11	39.60	43.60

# XYCO PRECISION CONNECTORS

TEL: 0769-8297 9981/2/3 <http://www.XYCO.com.cn>

DATE 2016-12-19		VER A	CHANGE HISTORY	CHANGED NAME KB965-XXXDR6A	DRAWING Devin	TOLERANCE 公差 .X=±0.30 .XX=±0.20 .XXX=±0.10	DRAWING 設計者 Devin	PART NO. 料號 KB965-XXXDR6A		UNIT 單位 mm	PRODUCT NAME 產品名稱 PH3.96mm Wire To Board Dip Right Angle Wafer
DATE 日期	VER 版本	CHANGE HISTORY 變更歷史	CHANGED NAME 修改後料號	DRAWING 變更者	TOLERANCE 公差 .X=±0.30 .XX=±0.20 .XXX=±0.10	DRAWING 設計者 Devin	CHECKED 審查 Thomas	DWG NO. 圖號 PE1905023A	UNIT 單位 mm	PRODUCT NAME 產品名稱 PH3.96mm Wire To Board Dip Right Angle Wafer	
1	2	3	4	5	6	7	8	9	10	11	