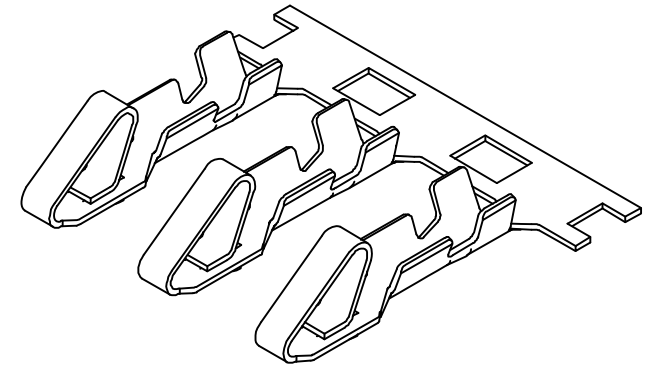
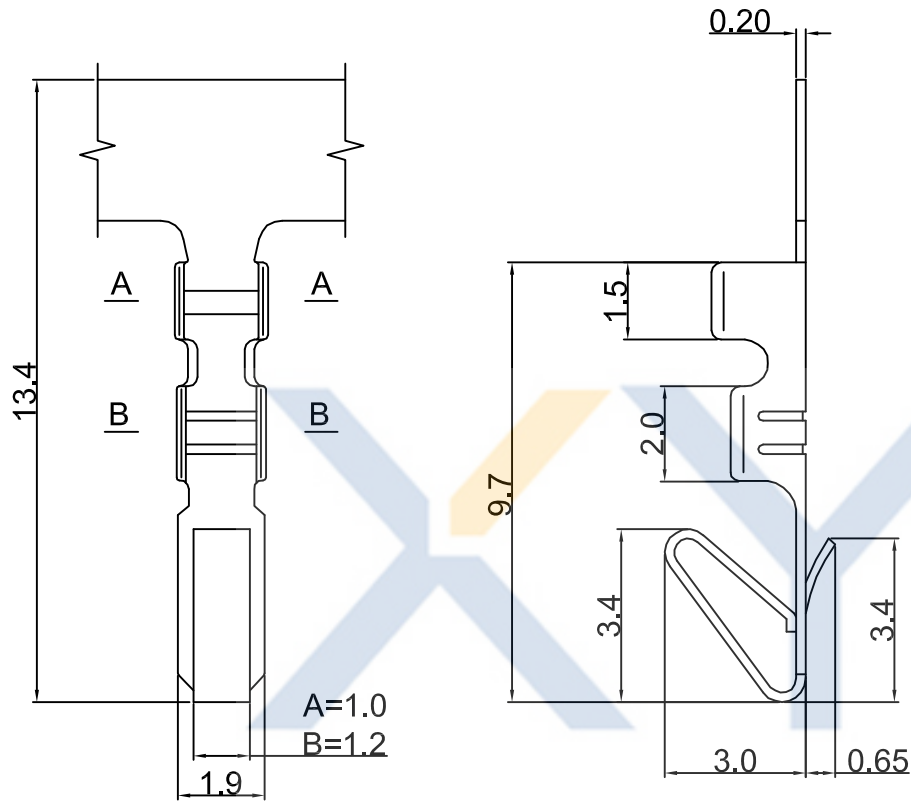


DRAWING FOR CUSTOMER

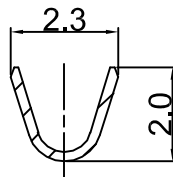


■SPEC.:

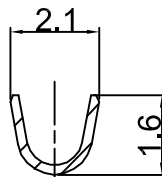
- Voltage Rating:250V AC/DC
- Current Rating:4A AC/DC
- Withstanding Voltage:1000V AC/Minute
- Insulation Resistance:1000MΩ Min
- Temperature Range:-25°C to+85°C
- Contact Resistance:10mΩ max.

■Terminal:

- Material: Phosphor Bronze
- Finish: Tin-plated, over Nickel
- Applicable wire:AWG#22~28
- QTY.:10000PCS/Reel



A-A



B-B

KB953- X X T 3 X

- 1:All plated
- 2:Half plated

- Plating
- 0: Tin-plated
 - 1: Gold Plat 1u"
 - 2: Gold Plat 3u"
 - 3: Gold Plat 5u"

Version

Mold No.

Terminal

XYCO PRECISION CONNECTORS

TEL: 0769-8297 9981/2/3 <http://www.XYCO.com.cn>

2013-09-13		A	CHANGE HISTORY 變更歷史	KB953-XXT3X	Devin	TOLERANCE 公差	DRAWING 設計者	Devin	KB953-XXT3X		UNIT 單位		PRODUCT NAME 產品名稱	2510 PH:2.54mm Wire To Board Terminal
DATE 日期	VER 版本	CHANGED NAME 修改後料號				DRAWING 變更者	.X=±0.30 .XX=±0.20 .XXX=±0.10	CHECKED 審查	Thomas	PART NO. 料號	mm			
							APPROVED 核准	William	DWG NO. 圖號	PE1708016A	mm			