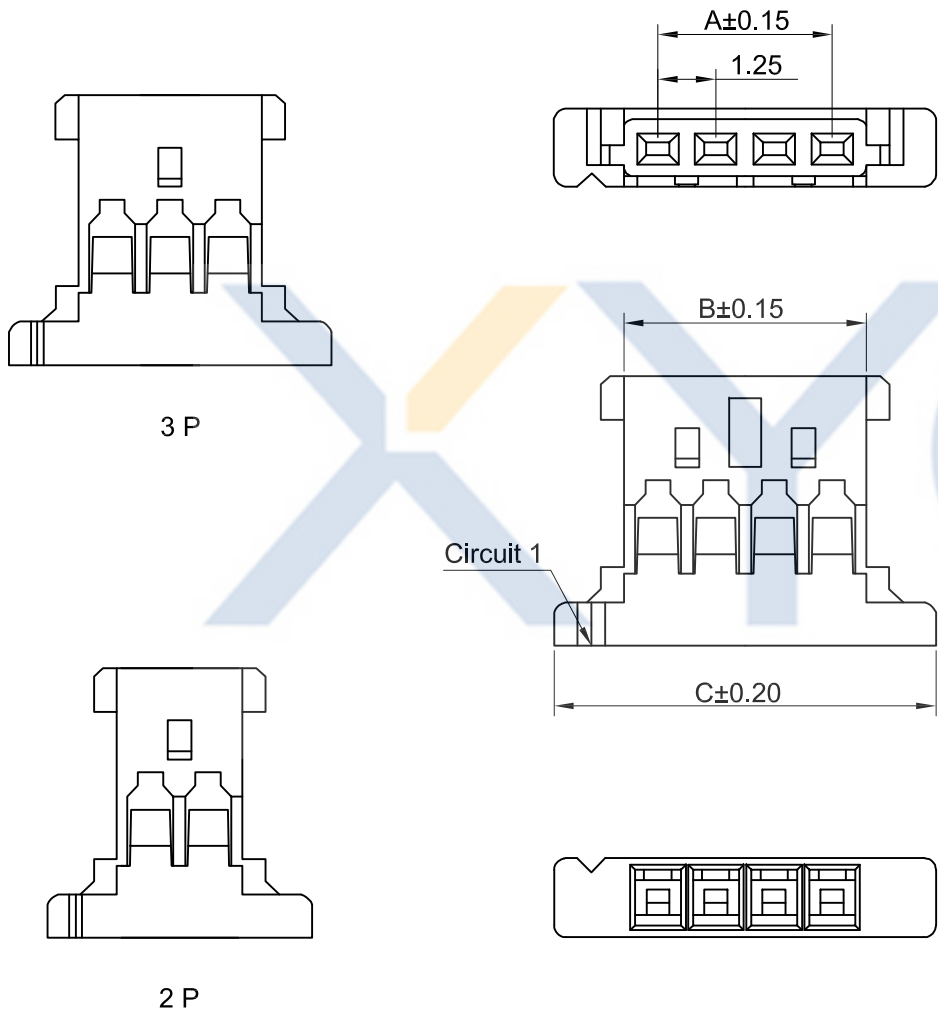


DRAWING FOR CUSTOMER



KB916-XXH3A

Part No. Version

Housing Mold No.

- SPEC.:
- Rated Voltage:125V AC,DC
- Rated Current:1A AC,DC
- Withstand Voltage:250V AC/minute
- Contact Resistance:20mΩ max
- Insulation Resistance:100MΩ min
- Temperature Range:-40℃~+85℃

- Housing
- Material:PA66 UL94-V0
- Applicable wire:AWG#28~32
- QTY.:1000PCS/Bag

Dimensional and Ordering Information:

Cir-Cuits	Part No.	Dimension unit:mm		
		A	B	C
02	KB916-02H3A	1.25	2.72	5.72
03	KB916-03H3A	2.50	3.97	6.97
04	KB916-04H3A	3.75	5.22	8.22
05	KB916-05H3A	5.00	6.47	9.47
06	KB916-06H3A	6.25	7.72	10.72
07	KB916-07H3A	7.50	8.97	11.97
08	KB916-08H3A	8.75	10.22	13.22
09	KB916-09H3A	10.00	11.47	14.47
10	KB916-10H3A	11.25	12.72	15.72
11	KB916-11H3A	12.50	13.97	16.97
12	KB916-12H3A	13.75	15.22	18.22
14	KB916-14H3A	16.25	17.72	20.72
15	KB916-15H3A	17.50	18.97	21.97
16	KB916-16H3A	18.75	20.22	23.22
20	KB916-20H3A	23.75	25.22	28.22
30	KB916-30H3A	36.25	37.72	40.72

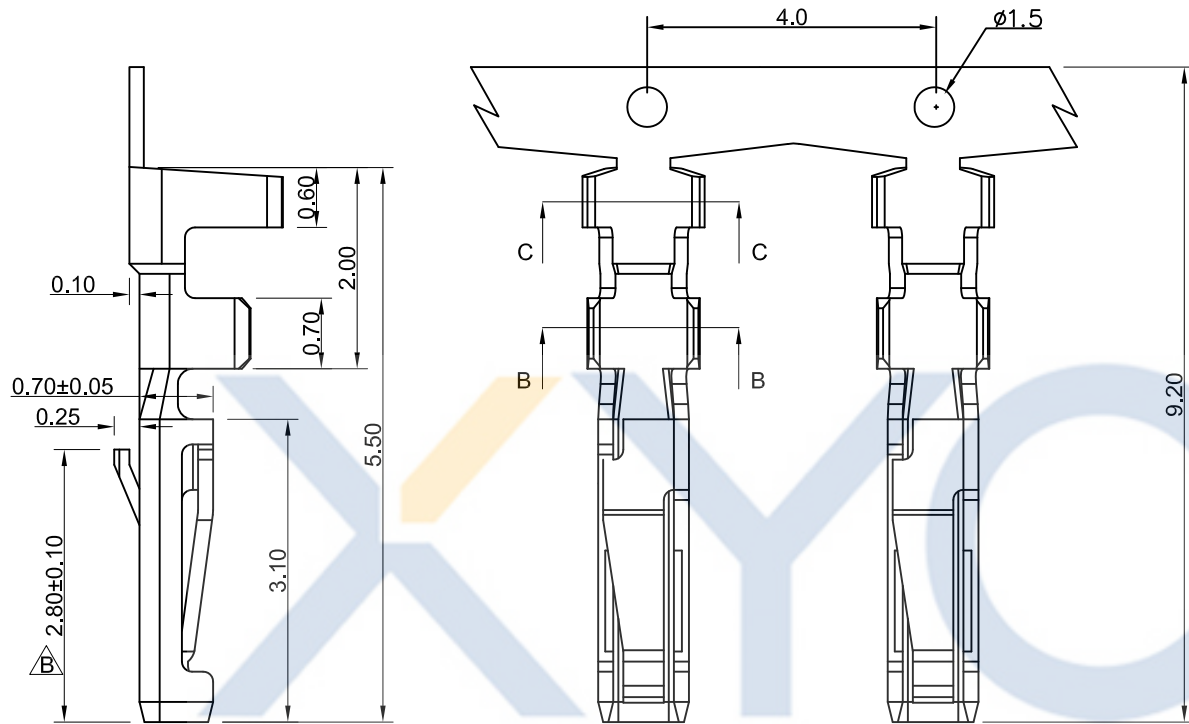
XYCO PRECISION CONNECTORS

TEL: 0769-8297 9981/2/3 <http://www.XYCO.com.cn>

2013-08-17		A	CHANGE HISTORY		KB916-XXH3A	John	TOLERANCE 公差	DRAWING 設計者	John	KB916-XXH3A	
DATE 日期	VER 版本	CHANGE HISTORY 變更歷史		CHANGED NAME 修改後料號	DRAWING 變更者		.X=±0.30 .XX=±0.20 .XXX=±0.10	CHECKED 審查	Thomas	PART NO. 料號	
								APPROVED 核准	William	DWG NO. 圖號	PE1804001A

UNIT 單位	mm	PRODUCT NAME 產品名稱	MOLEX 51146 PH1.25mm Wire To Board Housing
------------	----	----------------------	---

DRAWING FOR CUSTOMER



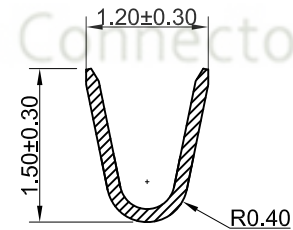
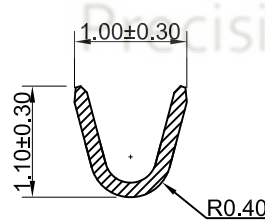
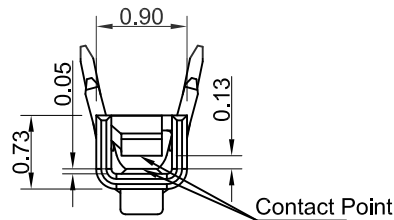
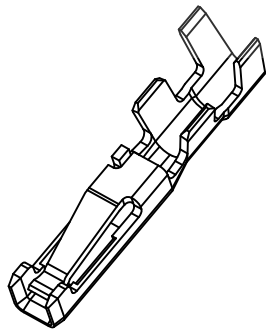
- SPEC.:
- Rated Voltage:125V AC,DC
 - Rated Current:1A AC,DC
 - Withstand Voltage:250V AC/minute
 - Contact Resistance:20mΩ max
 - Insulation Resistance:100MΩ min
 - Temperature Range:-40℃~+85℃

- Terminal
- Material: Phosphor Bronze C5191
 - Finish: Gold-plated, over Nickel
 - Applicable wire:AWG#28~32
 - QTY.:15KPCS/Reel

KB916-1 X T 1 C

Plating
 0: Tin-plated
 1: Gold Plated1u"
 2: Gold Plated3u"
 3: Gold Plated5u"

Version
 Mold No.
 Terminal



XYCO PRECISION CONNECTORS

TEL: 0769-8297 9981/2/3 <http://www.XYCO.com.cn>

2016-10-18	C	变更尺寸公差	KB916-1XT1C	John	TOLERANCE 公差	DRAWING 設計者	John	KB916-1XT1C		UNIT 單位		mm	PRODUCT NAME 產品名稱	MOLEX 51146 PH1.25mm Wire To Board Terminal
2015-12-21	A		KB916-1XT1A	John	.X=±0.30 .XX=±0.20 .XXX=±0.10	CHECKED 審查	Thomas	PART NO. 料號	DWG NO. 圖號	PE3205A	PE3205A			
DATE 日期	VER 版本	CHANGE HISTORY 變更歷史	CHANGED NAME 修改後料號	DRAWING 變更者		APPROVED 核准	William							