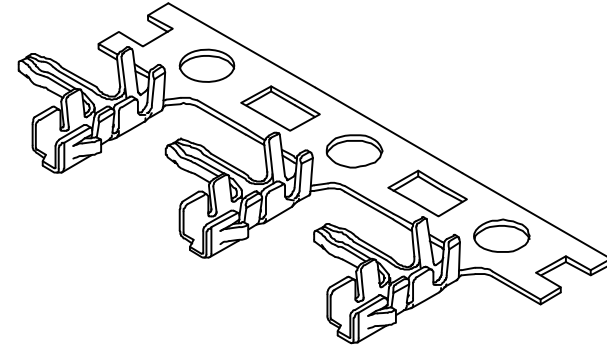
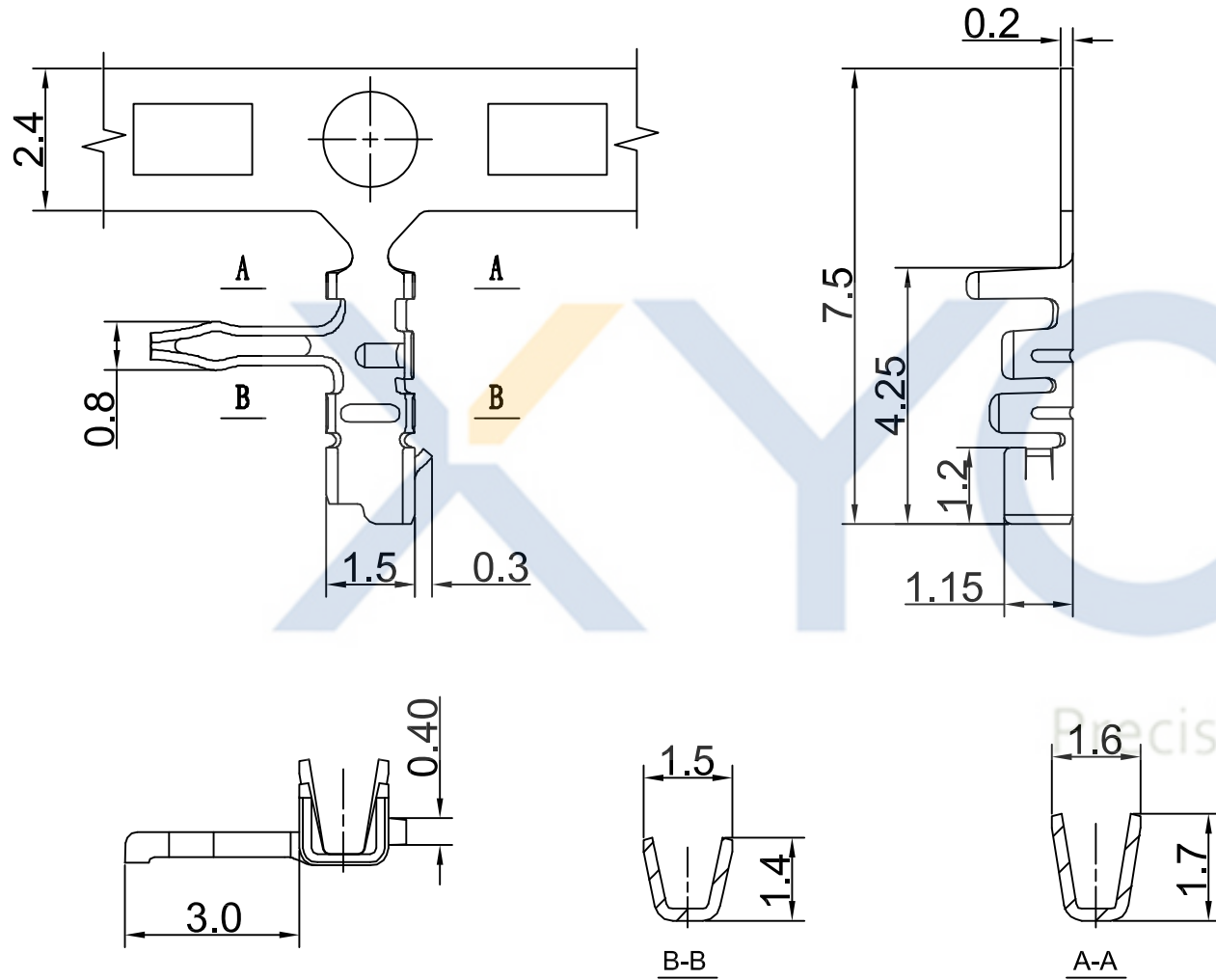
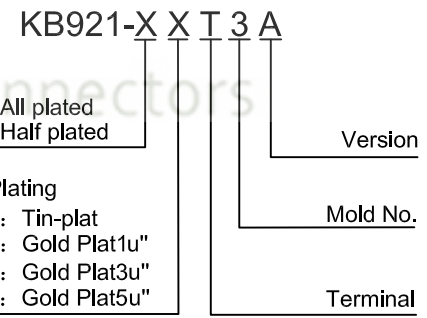


DRAWING FOR CUSTOMER



- SPEC.:
- Rated Voltage:50V AC,DC
 - Rated Current:0.7A AC,DC
 - Withstand Voltage:500V AC/minute
 - Insulation Resistance:500MΩ min
 - Temperature Range:-25℃~+85℃

- Terminal
- Material:Phosphor Bronze
 - Finish:Tin-plated,over Nickel
 - Applicable wire:AWG#26~32
 - QTY.:10000PCS/Reel



XYCO PRECISION CONNECTORS

TEL: 0769-8297 9981/2/3 <http://www.XYCO.com.cn>

				TOLERANCE 公差		DRAWING 設計者 John		KB921-XXT3A			
2015-09-13	A	CHANGE HISTORY 變更歷史	KB921-XXT3A	John	.X=±0.25	CHECKED 審查 Thomas	PART NO. 料號		UNIT 單位	mm	PRODUCT NAME 產品名稱
DATE 日期	VER 版本				.XX=±0.13	APPROVED 核准 William	DWG NO. 圖號	PE1807034A	JC15-TE Terminal		
					.XXX=±0.08						