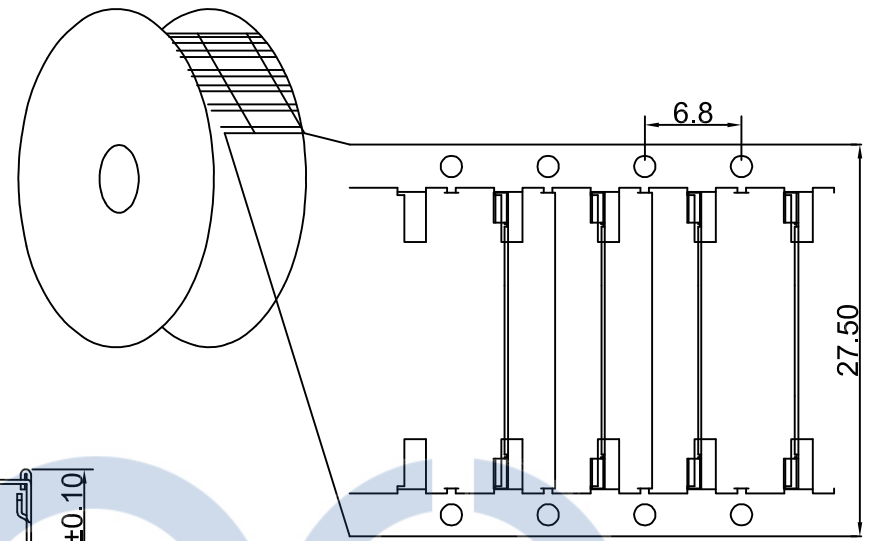
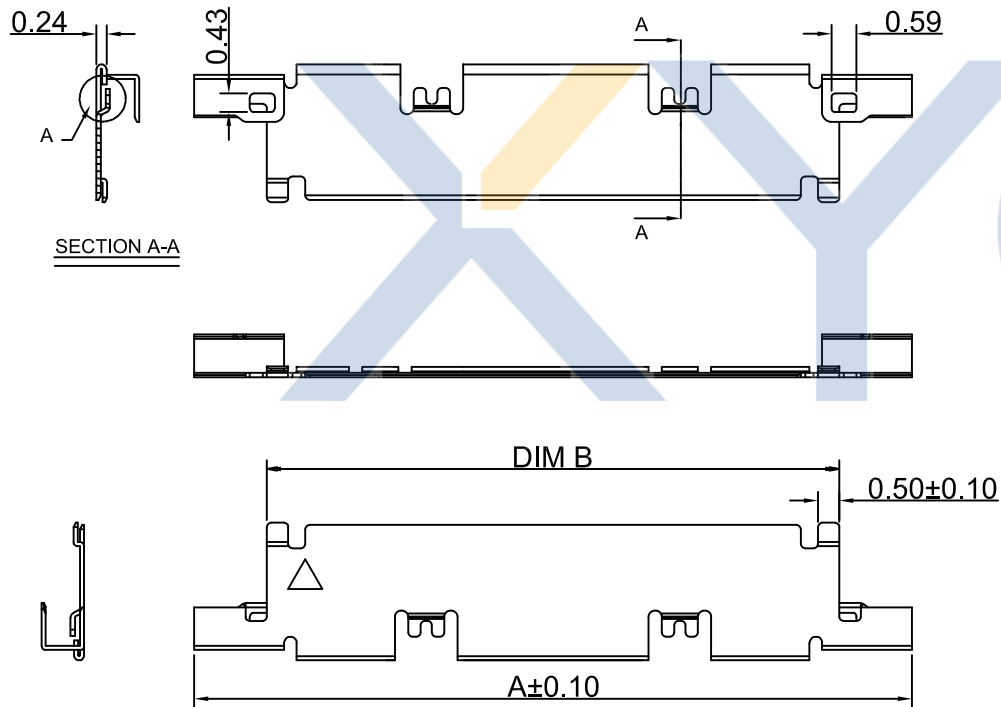


DRAWING FOR CUSTOMER



SCALE 3:1

- NOTES:
- Insulator:LCP,UL94V-0,BLACK
 - Contact:Brass
 - Contact finish:Gold 5u" plated over Nickel
 - Shell:Phosphor Bronze
 - Front Shell finish:Gold flash on solder area;over Nickel
 - Upper shell finish: Tin plated 80u" ,over 50u" Nickel.

KB401- XX S X A

Pin No. Version

Shell Mold No.

CKT.	A	B
30	16.80	13.7
40	20.80	17.7

XYCO PRECISION CONNECTORS

TEL: 0769-8297 9981/2/3 <http://www.XYCO.com.cn>

DATE 日期	VER 版本	CHANGE HISTORY 變更歷史	CHANGED NAME 修改後料號	DRAWING 變更者	TOLERANCE 公差	DRAWING 設計者	譚火秦	KB401-XXSXA	UNIT 單位	mm	PRODUCT NAME 產品名稱	I-PEX 20346 PH0.40mm LVDS Connector Upper Shell
2013-08-29	A		KB401-XXSXA	譚火秦	.X=±0.30 .XX=±0.20 .XXX=±0.10	CHECKED 審查	彭太坤	PART NO. 料號				
						APPROVED 核准	譚宏	DWG NO. 圖號	PE0503A			